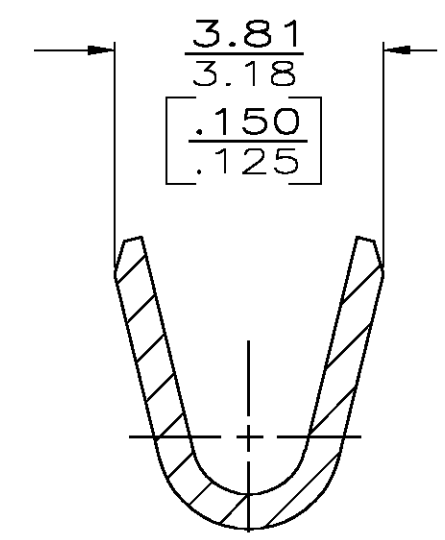
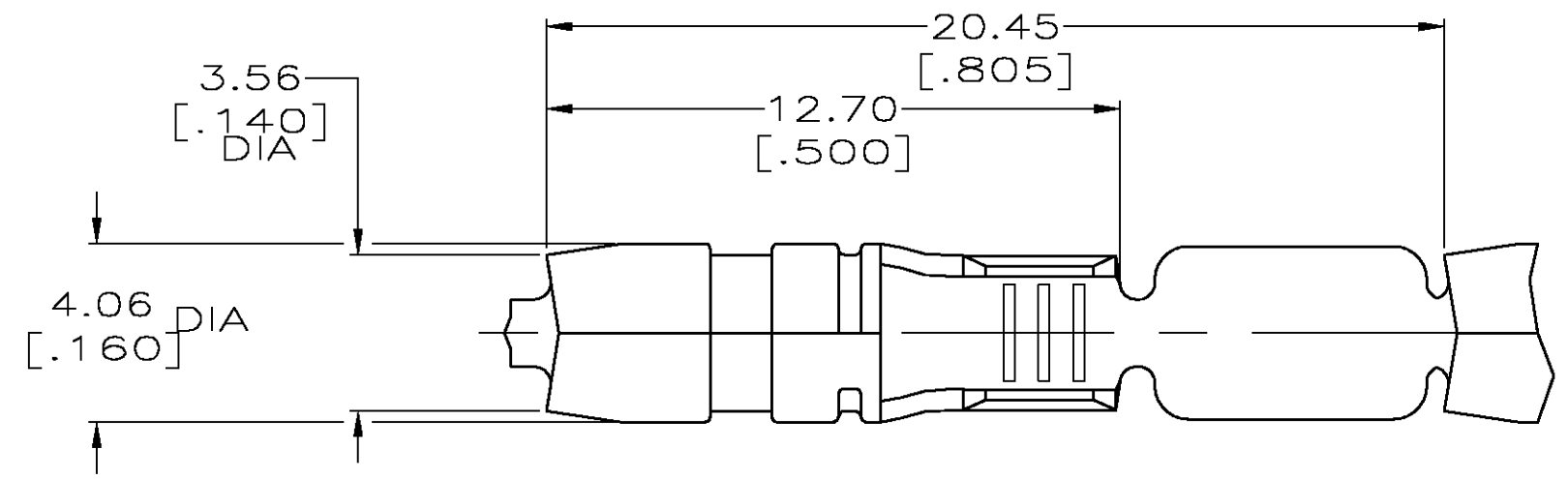


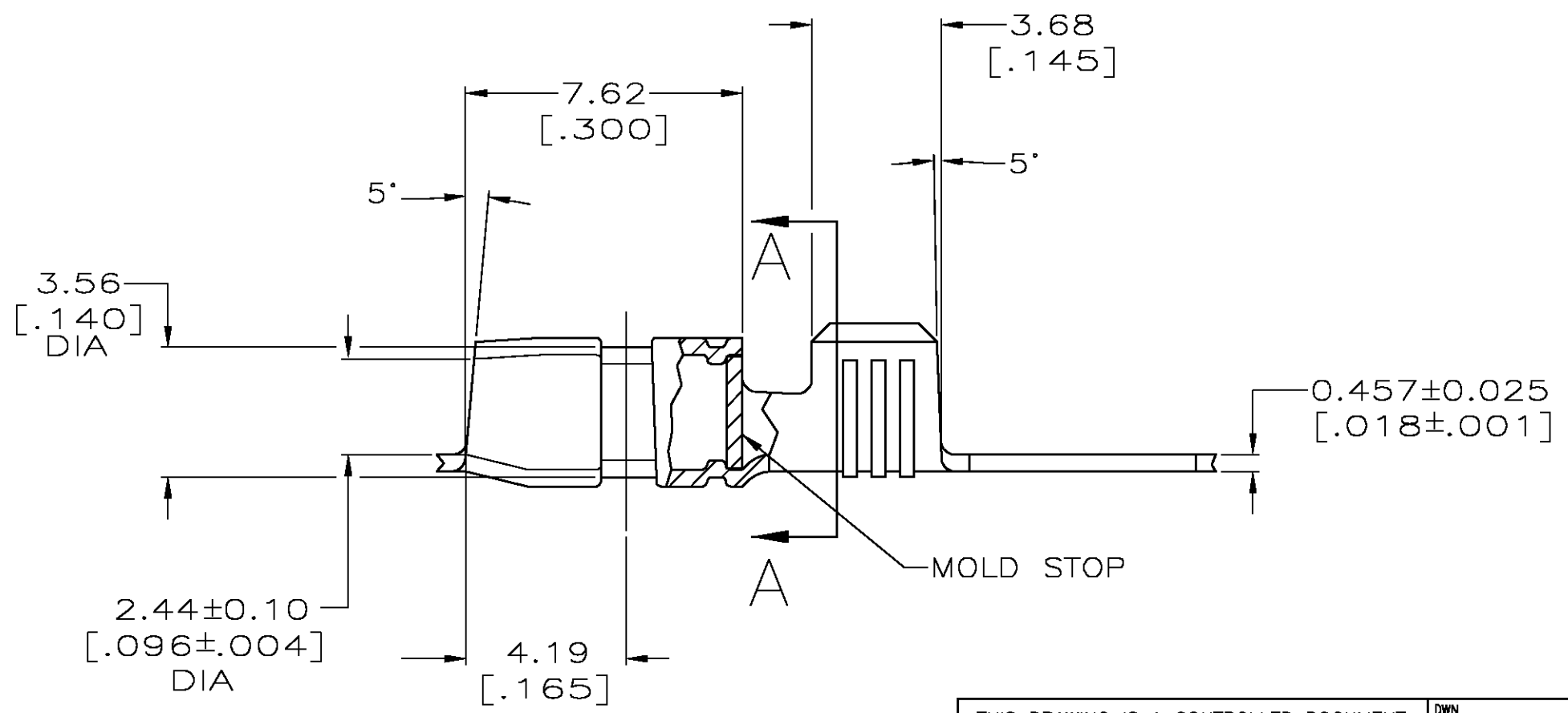
THIS DRAWING IS UNPUBLISHED. RELEASED FOR PUBLICATION
 © COPYRIGHT BY TYCO ELECTRONICS CORPORATION. ALL RIGHTS RESERVED.

LOC	DIST	REVISIONS			
P	LTR	DESCRIPTION	DATE	DWN	APVD
AF	50	N	REV PER 0G3A-0808-04	18JAN05	JR DD

- 1 CONTINUOUS STRIP ON REEL.
- 2 WIRE SIZE IS [18-14] AWG
- △ 3 0.003302 [.000130] MAX PRE-TIN PL.



SECTION A-A
SCALE 10:1



61802-1
PART NO.

THIS DRAWING IS A CONTROLLED DOCUMENT.		DWN PHILLIP M. FORTNEY 30/SEP/94	Tyco Electronics Corporation Harrisburg, Pa 17105-3608	
DIMENSIONS: INCHES	TOLERANCES UNLESS OTHERWISE SPECIFIED: 1'	CHK JEFF R. RUTH 30/SEP/94	NAME SHUR PLUG, 3.96 [.156] DIA	
	0 PLC ± -	APVD R KUZO 30/SEP/04	PRODUCT SPEC	
	1 PLC ± -	PRODUCT SPEC	-	
	2 PLC ± 0.25 [.010]	APPLICATION SPEC	-	
	3 PLC ± -	WEIGHT	-	
MATERIAL 081 BRASS	4 PLC ± -	SIZE	A3	00779
	ANGLES ± -	CAGE CODE	C-61802	
FINISH	- △ 3	DRAWING NO	61802	
CUSTOMER DRAWING		RESTRICTED TO	-	
		SCALE	6:1	SHEET 1 OF 1
		REV	N	